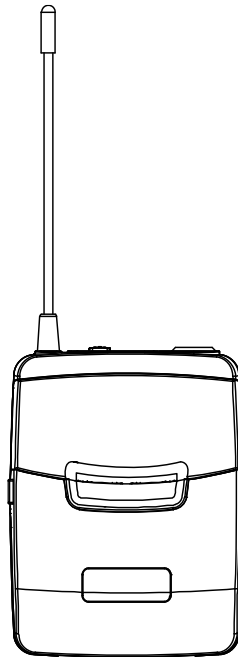


CHIAYO

Operation manual

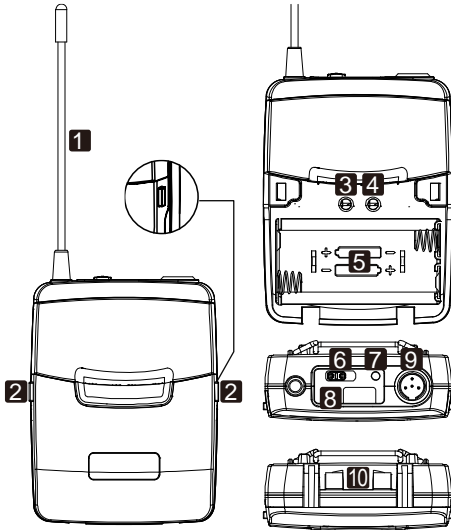
NB-3100

Rechargeable Belt-pack Transmitter



CHIAYO ELECTRONICS CO., LTD.

Parts and functions



- 1 Antenna
- 2 Cover release buttons
- 3 High-impedance gain control (GT)
- 4 Low-impedance gain control (MT)
- 5 Battery compartment
- 6 Power switch
- 7 Battery power indicator
- 8 IR sensor area
- 9 Audio input connector
- 10 Charging contacts

Battery installation & indicator



When the transmitter is switched ON, the battery power indicator ⑦ will blink once to denote the batteries are in good condition

If the indicator remains illuminated the batteries have expired and require replacement.

This transmitter requires two AA batteries to operate.

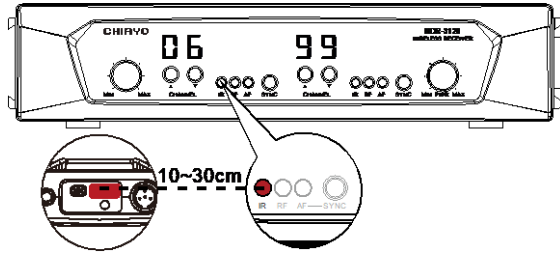


To install, open the battery cover and insert the batteries into the compartment ⑤.

IMPORTANT: Batteries contain corrosive acid that may leak and damage the transmitter when stored for a long period. Batteries should be removed from the transmitter before storing without use for more than 4 weeks.

Channel synchronizing of the receiver and transmitter

To achieve successful synchronization, hold the receiver and transmitter within 10-30cm of each other.



Changing the transmitter's channel

Press the synchronizing button of the receiver and the receiver will transmit the frequency to the transmitter and synchronize its channel.

If it doesn't work check that you have the IR sensor panels aligned, that they are facing each other, devices are within 10~30cm of each other, and try again.

GAIN setting (GT | MT)

Gain control enables the user to set different output levels.



GT (LEFT) is for the use of instrument with high impedance, such as guitar.



MT (RIGHT) is for the use of low impedance such as laval or headset microphones

CHIAYO ELECTRONICS CO., LTD.

Http://www.chiayo.com.tw | Email: sales@chiayo.com.tw
Office: 30, Lane 27, Section 4, Jen-Ai Road, Taipei 10685, Taiwan
Tel: 886-2-27415741 | Fax: 886-2-27525242
Factory: 88, Chung-Hsiao Street 2, Chiayi 60080, Taiwan
Tel: 886-5-2711000 | Fax: 886-5-5767611

