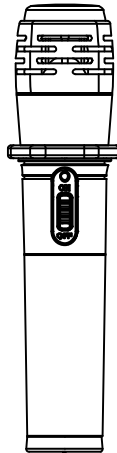


CHIAYO

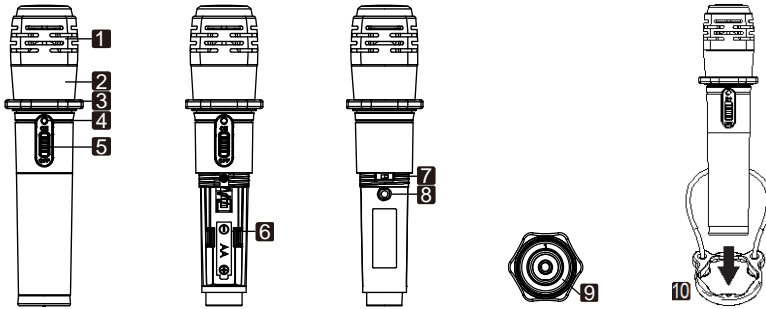
Operation manual

IWH-401

Infrared Handheld / Pendant Microphone



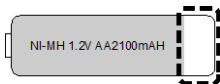
Parts and functions



1. Cartridge screen.
2. Infrared emitter. IR ray radiates from here. Do not block or hold this part of the body.
3. Anti-rolling color ring.
4. Status LED: Bicolor LED will glow when switch is put to ON.
Green: Battery is full and transmitter is in normal mode.
Red: Battery is weak and will shut off soon. Please charge the battery.
5. Power switch: Slide to turn transmitter on or off.
6. Battery compartment. Turn the battery cover counterclockwise and pull out. Make sure the transmitter is turned off when installing or replacing batteries. Install the new battery according to its correct polarity. IWH-401 uses only 1 AA battery to operate.
7. Channel selector. Channel A: 2.08MHz, Channel B: 2.54MHz
8. Sensitivity control. Clockwise to increase sensitivity level. Factory preset is max level.
9. Charging contact, workable with **HC-40** (single-unit) / **HC-402** (dual-unit) charger.
Please note: This transmitter has a unique inbuilt safety feature to protect from overcharging the battery. It incorporates a special charging function enabled when 1cm of the PVC cover of the battery's negative end is removed by 1cm. Any rechargeable batteries used must be used this way for safe charging.
10. Pendant holder. Place IWH-401 through this holder and it can be used as a pendant transmitter.

Battery installation/charging

Unscrew the battery cover and install 1 AA battery. Please make sure the battery type is rechargeable if it's to be used with the charger. It can be charged without being removed from the transmitter. If the transmitter is to be left unused for a long period of time, please remove the battery until next use.



- Alkaline battery or
- AA NIMH battery with 1cm negative sleeve peeled off.

CHIAYO ELECTRONICS CO., LTD.

Http://www.chiayo.com.tw | Email: sales@chiayo.com.tw
Office: 30, Lane 27, Section 4, Jen-Ai Road, Taipei 10685, Taiwan
Tel: 886-2-27415741 | Fax: 886-2-27525242
Factory: 88, Chung-Hsiao Street 2, Chiayi 60080, Taiwan
Tel: 886-5-2711000 | Fax: 886-5-5767611

