

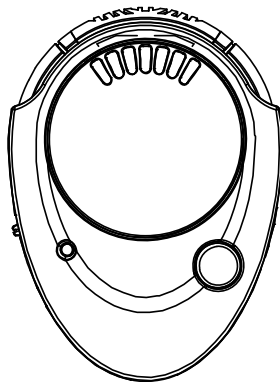
CHIAYO

IWM-402

Infrared Pendant Microphone

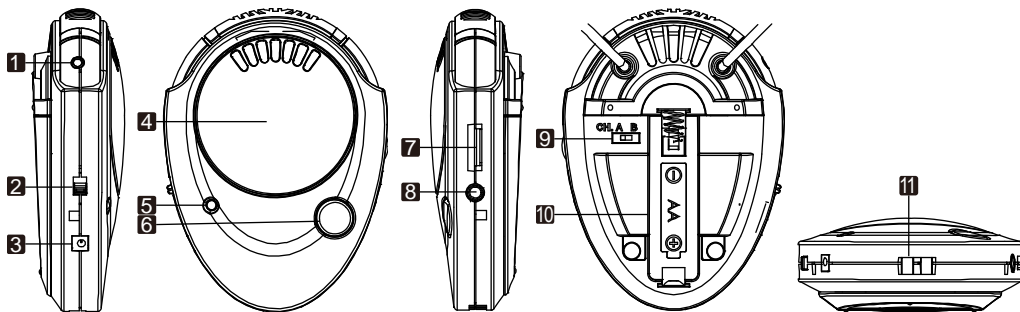


9001:2015



IWM-402 Infrared Pendant Microphone

Parts and functions

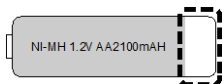


1. Mic in (Ø2.5mm). Headset or lavalier microphone.
2. Power switch.
3. Charging port.
4. IR emitter area. IR ray radiates from here. Do not block or hold this part of the body.
5. Status LED: Bicolor LED will glow when switch is ON.
Green: Battery is full and transmitter is in normal mode.
Red: Battery is weak and will shut off soon. Please charge the battery.
6. Mute. Press this button to mute/resume audio transmission.
7. Volume control.
8. Line in (Ø3.5mm), for external audio input.
9. Channel selector. Channel A: 2.08MHz, Channel B: 2.54MHz
10. Battery compartment. IWM-402 uses only 1 AA battery to operate.
11. Charging contact, workable with **HC-40** (single-unit) / **HC-402** (dual-unit) charger.

This transmitter has a unique inbuilt safety feature to protect from overcharging the battery. It incorporates a special charging function enabled when 1cm of the PVC cover of the battery's negative end is removed by 1cm. Any rechargeable batteries used must be used this way for safe charging.

Battery installation/charging

Open the battery compartment and on install 1 AA battery. Please make sure the battery type is rechargeable if it's to be used with the charger. It can be charged without being removed from the transmitter. If the transmitter is to be left unused for a long period of time, please remove the battery until next use.



-
- Alkaline battery or
 - AA NiMH battery with 1cm negative sleeve peeled off.

CHIAYO ELECTRONICS CO., LTD.

Http://www.chiayo.com.tw | Email: sales@chiayo.com.tw
Office: 30, Lane 27, Section 4, Jen-Ai Road, Taipei 10685, Taiwan
Tel: 886-2-27415741 | Fax: 886-2-27525242
Factory: 88, Chung-Hsiao Street 2, Chiayi 60080, Taiwan
Tel: 886-5-2711000 | Fax: 886-5-5767611

